



**SEMICONDUCTOR
CIRCUITS, INC.**

CATALOG Edition 7

CONTENTS

Short Form Catalog

Semiconductor Circuits, Inc. Company Profile	2
Ordering and Warranties	3
Customs	4
Product Specifications	5

DC/DC

SC05N	5 Watts	5
SC10A	10 Watts	7
SC10B	10 Watts	9
SC10N (POL)	10 Amp	11
SC15A	15 Watts	13
SC15B	15 Watts	15
SC20A	20 Watts	17
SC25N	25 Watts	19
SC30N	30 Watts	21
SC60B	60 Watts	23
SC75A	75 Watts	25
SC125A	125 Watts	27

Dynamic Power Solutions through Innovation

Offering DC/DC converters to meet a wide range of needs

Semiconductor Circuits Inc. features an extensive line of standard DC/DC converters. From 1 watt to 125 watts, from single to dual to triple output, we provide innovative quality solutions to meet your power specifications. In addition, we are proud to offer *Customs and Modified Standard Product* (please see page 4.)

Quality of product is maintained at the highest level

All converters manufactured by Semiconductor Circuits, Inc. are backed by 40 years of field proven value. *Maintaining our high quality standards is the individual responsibility of each employee.*

We are also proud to be an ISO900:2000 UL Registered Firm. Our standard and custom products are recognized to various worldwide safety standards, such as UL1950 (File E169640), EN60950 and CSA 22.2.950.(LR34462).

Modern facility ensures manufacturing efficiency

Highly efficient and consistent manufacturing is the norm using Semiconductor Circuits' up to date technology. Our 24,000 square foot facility is fully automated with state of the art surface-mount capabilities.

Our modern equipment and methods ensure timely and cost effective fulfillment of your orders.

40 years of manufacturing DC/DC

From its origins in 1966 as a privately owned company, Semiconductor Circuits Inc. has come full circle through several corporate ownerships to its current privately held status.

Present corporate headquarters is located one hour north of Boston in Atkinson, New Hampshire, occupying a custom built modern facility.

Reach us at **1-888.438.3232.**



**SEMICONDUCTOR
CIRCUITS, INC.**

Technical, product, and sales support is readily available.

Our internet site dcdc.com gives you instant access to specs and information. This site features up-to-date information, detailed product specifications, and a list of local distributors and sales representatives. New product information is posted here as soon as it becomes available.

Personalized assistance is easily reached on all product lines. For technical or any other questions, simply call our support staff at **1-888.438.3232**.

To place an order

Orders may be placed by mail, fax or telephone. Orders may also be placed with our local authorized distributors or with our Sales Representatives (please see dcdc.com for locations.)

Terms are Net thirty (30) days from the date of the invoice. Major credit cards accepted.

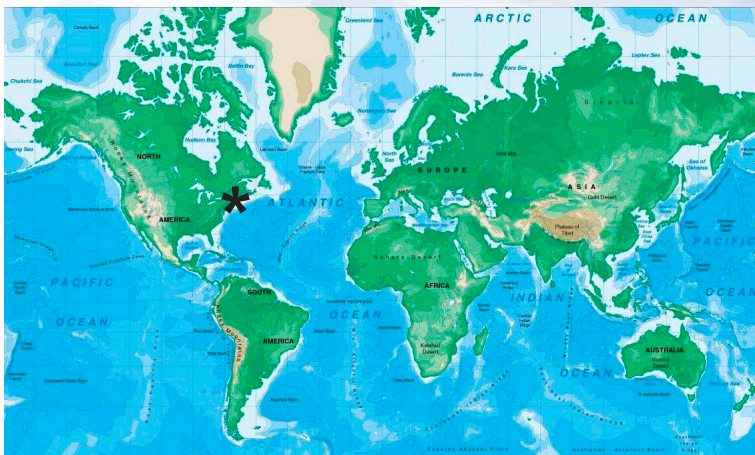
Discounts are available for both quantity orders and payment terms, please call **1-888.438.3232**.

Prices quoted are FOB Atkinson, NH. Written quotations for price and delivery are valid for thirty (30) days from issue. Pricing and specifications are subject to change without notice.

Warranty Policy

Semiconductor Circuits, Inc. warrants its products for one (1) year from the date of shipment against defects in material and workmanship. This warranty is rendered void if the product has been changes, opened, altered or modified other than by written instruction from Semiconductor Circuits, Inc. or if the product has become defective due to acts of God, negligence or the failure of the customer to follow installation instructions. Semiconductor Circuits, Inc. does not warrant that its products are merchantable, or fit for any particular purpose, and assumes no liability for any consequential damages resulting from the failure of its products. The sole liability of Semiconductor Circuits, Inc. to the original purchaser only is to repair, replace or credit, at its option, any products which contained any defects in material or workmanship, provided that Semiconductor Circuits, Inc. has established the existence of such defect.

For any product to be returned under warranty, the buyer must contact Semiconductor Circuits, Inc. and obtain a Material Return Authorization number and shipping instructions. Shipments, packaging, freight, insurance and other charges must be prepaid. Without such prior authorization indicating the reason for return, all units will be returned to the buyer.



Offering worldwide solutions from Atkinson, New Hampshire

Customs and Modified Standard Product

Specials and Custom Products have been our hallmark for over 40 years

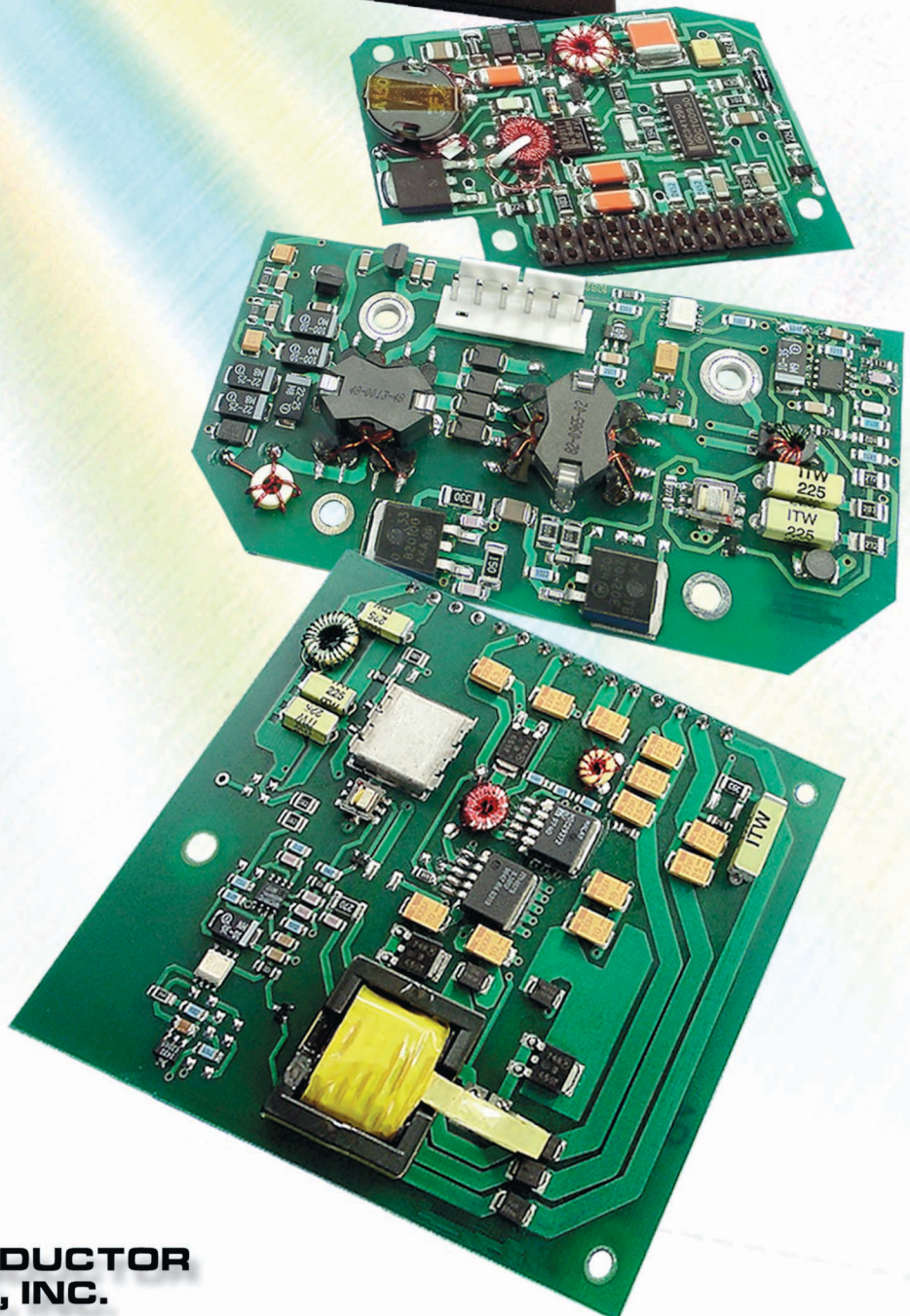
Semiconductor Circuits, Inc. boasts an extensive library of over 3,000 nonstandard products we have designed, developed and manufactured for OEMs worldwide. Chances are good we already have what you need, or similar to it.

For example, some of the customizations we offer include the following:

- extended temperature
- special pin-out
- different input or outputs
- regulation combinations and more...

When your new power distribution systems require unique DC/DC converters, Semiconductor Circuits has the world class capabilities to meet your requirements. Our DC/DC converters will be the foundation stones of your power sources.

We look forward to servicing your particular needs. Just contact us, **1-888.438.3232**.



**SEMICONDUCTOR
CIRCUITS, INC.**

SC05N Series



DC/DC

5 Watts

Single Outputs

- Input ranges
 - 3-3.6 Vdc
 - 4.5-5.5 Vdc
 - 10-14 Vdc
- Remote shutdown
- 200kHz switching frequency

Specifications

INPUT

Voltage Range	3.0-3.6 Vdc 4.5-5.5 Vdc 10.0-14.0 Vdc
Reverse Polarity Protected	To Nominal Input Current External Fuse Required
Remote On/Off Control	All Models

OUTPUT

Voltage Tolerance	± 1.5%
Voltage Adjust	2.1V ±200mV 3.3V ±300mV 5.0V ±500mV 12.0V ±1.2V
Ripple and Noise	60mV pk-pk 45mV pk-pk (2.1 Vdc)
Short Circuit Protection	Momentary(0.1 second max)

GENERAL

Line Regulation	1.0%
Load Regulation	3.0%
Efficiency	2.1 V 80-84% (typ) 3.3 V 82-88% (typ) 5.0 V 83-88% (typ) 12.0V 86-88% (typ)
Isolation	Non-galvanically Isolated

ENVIRONMENTAL

Operating Temperature	-40°C to +85°C No Derating
Reflow Soldering	215°C peak 6 sec. max
Storage Temperature	-40°C to +105°C
Cooling	Free-air Convection

All specifications are typical at nominal line and full load at 25°C unless otherwise noted and are subject to change without notice.

The 5 Watt SC05N Series of high performance converters offer a high switching frequency topology and efficiencies to 88% typical over varying load conditions of 10% to 100%. Additional features include input reverse polarity protection, remote on/off control, logic compatible with CMOS or open collector TTL and an operating temperature range of -40°C to +85°C with no derating. Units are packaged in a surface mountable package and measure 0.93" x 0.93" x 0.35".

Applications

These units are ideally suited for data processing and networking applications requiring point of load regulation such as automotive test equipment, process control and minicomputers.



**SEMICONDUCTOR
CIRCUITS, INC.**

toll-free 888.438.3232 toll-free 888.GET.DCDC

SC05N Series Ordering Information

Input Voltage Range	Output Voltage	Output Current	Model Number
3.00-3.6 Vdc	2.1 Vdc	2500 mA	SC05N16-250-03
3.00-3.6 Vdc	5.0 Vdc	1000 mA	SC05N17-100-03
4.5-5.5 Vdc	2.1 Vdc	2500 mA	SC05N16-250-05
4.5-5.5 Vdc	3.3 Vdc	2500 mA	SC05N17-250-05
4.5-5.5 Vdc	12 Vdc	416 mA	SC05N12-042-05
10-14 Vdc	3.3 Vdc	2000 mA	SC05N17-200-12

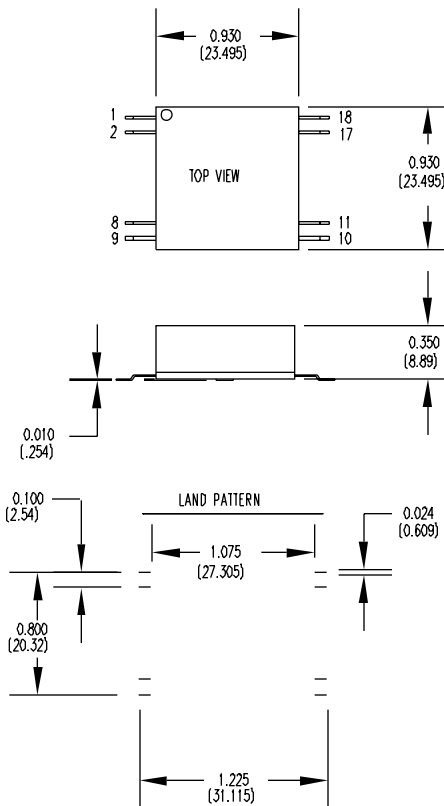
Dimensions and Connections

PIN CONNECTIONS

1. Vint
2. Enable
8. Common
9. Common
10. Common
11. Common
17. VOut Adjust
18. Vout

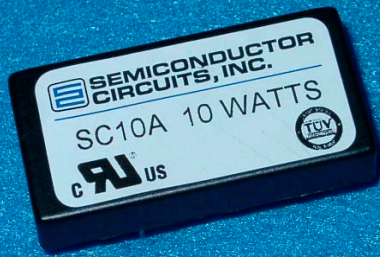
NOTES:

1. Ripple measured with a 100 μ F, 10 Volt capacitor across output.
2. Case - High Temp Epoxy
3. Not internally short circuit protected.



11/21/2002

SC10A Series



DC/DC

10 Watts

Single/Dual Outputs

- Industry standard form factor 2 x 1 x 0.40
- Three input voltage ranges
9-18 Vdc
18-36 Vdc
36-75 Vdc
- Remote shutdown
- 400kHz switching frequency
- Continuous short circuit protection
- Six-sided shielding
- UL1950, cUL, EN60950

Specifications

INPUT

Voltage Range	9-18 Vdc 18-36 Vdc 36-75 Vdc
Reverse Polarity Protected	To Nominal Input Current External Fuse Required
Remote On/Off Control	Optional

OUTPUT

Voltage Tolerance	± 1%
Ripple and Noise	50mV pk-pk (typ)
Short Circuit Protection	Continuous Power Cycle
Temperature Coefficient	0.02% / °C

GENERAL

Regulation:	
Line	0.25%
Load	0.5% (singles) 1.0% (duals)
Switching Frequency	400 kHz (±10%)
Efficiency	80-85% (typ)
I/O Isolation	1500 Vdc

ENVIRONMENTAL

Operating Temperature	-40°C to +71°C
Max Baseplate Temp	105°C
Storage Temperature	-55°C to +105°C
Cooling	Free-air Convection

All specifications are typical at nominal line and full load at 25°C unless otherwise noted and are subject to change without notice.

The SC10A series of cost sensitive single and dual output 10 watt DC/DC converters are specifically designed for critical applications requiring a compact, low profile case.

These high performance 10 watt converters offer a high switching frequency topology, 1500 Vdc I/O isolation, and efficiencies to 85%.

Twenty-one models available. Three input voltage ranges of 9-18 Vdc, 18-36 Vdc and 36-75 Vdc provide regulated outputs of 3.3, 5, 12, 15 and ±5, ±12 and ±15 Vdc.

Applications

These units are ideally suited for telecommunications, distributed power systems, automatic test equipment, medical and process control.



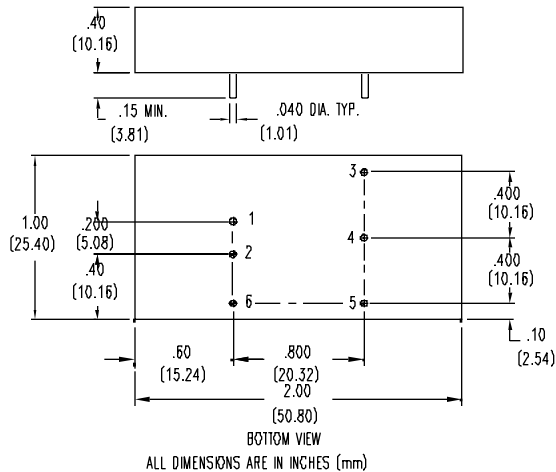
**SEMICONDUCTOR
CIRCUITS, INC.**

toll-free 888.438.3232 toll-free 888.GET.DCDC

SC10A Series Ordering Information

Input Voltage Range	Output Voltage	Output Current	Model Number
9-18 Vdc	3.3 Vdc	2400mA	SC10A17-240-12
9-18 Vdc	5 Vdc	2000mA	SC10A11-200-12
9-18 Vdc	12 Vdc	830mA	SC10A12-083-12
9-18 Vdc	15 Vdc	600mA	SC10A13-060-12
9-18 Vdc	±5 Vdc	±750mA	SC10A21-150-12
9-18 Vdc	±12 Vdc	±375mA	SC10A22-083-12
9-18 Vdc	±15 Vdc	±300mA	SC10A23-060-12
18-36 Vdc	3.3 Vdc	2400mA	SC10A17-240-24
18-36 Vdc	5 Vdc	2000mA	SC10A11-200-24
18-36 Vdc	12 Vdc	830mA	SC10A12-083-24
18-36 Vdc	15 Vdc	600mA	SC10A13-060-24
18-36 Vdc	±5 Vdc	±750mA	SC10A21-150-24
18-36 Vdc	±12 Vdc	±375mA	SC10A22-083-24
18-36 Vdc	±15Vdc	±300mA	SC10A23-060-24
36-75 Vdc	3.3 Vdc	2400mA	SC10A17-240-48
36-75 Vdc	5 Vdc	2000mA	SC10A11-200-48
36-75 Vdc	12 Vdc	830mA	SC10A12-083-48
36-75 Vdc	15 Vdc	600mA	SC10A13-060-48
36-75 Vdc	±5 Vdc	±750mA	SC10A21-150-48
36-75 Vdc	±12 Vdc	±375mA	SC10A22-083-48
36-75 Vdc	±15Vdc	±300mA	SC10A23-060-48

Dimensions and Connections



PIN CONNECTIONS

Single Output

1. +Input
2. -Input
3. +Output
4. No Pin
5. Common
6. Remote On/Off

PIN CONNECTIONS

Dual Outputs

1. +Input
2. -Input
3. +Output
4. Common
5. -Output
6. Remote On/Off

NOTES:

1. Ripple measured with a 3.3µF tantalum capacitor across each output.
2. Minimum load 10% of full load. Load regulation from full load to minimum load.
3. The SC10A series requires an external filter capacitor across the input valued at 2.2µF @ 100Vdc such as ITW/Paktron part# 225K100RA4 or equiv.
4. Case connected to pin #1 on -48 models. Case connected to pin #2 on -12 and -24 models

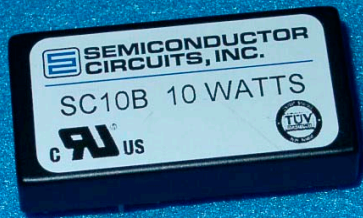
For Optional Remote On/Off add suffix "E"
(i.e. SC10A11-200-48E)

Remote ON/Off Control (pin 6) common referenced to - Input (pin 2).

On greater than 2.5 Vdc or open circuit
Off less than 0.8 Vdc

03/27/2002

SC10B Series



DC/DC

10 Watts

Single/Dual Outputs

- Industry standard form factor 2 x 1 x 0.40
- Wide input voltage range
9-36 Vdc
18-75 Vdc
- Remote shutdown
- 400kHz switching frequency
- Continuous short circuit protection
- Six-sided shielding
- UL1950, cUL, EN60950

Specifications

INPUT

Voltage Range	9-36 Vdc 18-75 Vdc
Reverse Polarity Protected	To Nominal Input Current External Fuse Required
Remote On/Off Control	Optional

OUTPUT

Voltage Tolerance	± 1%
Ripple and Noise	50mV pk-pk (typ)
Short Circuit Protection	Continuous Power Cycle
Temperature Coefficient	0.02% / °C

GENERAL

Regulation:	
Line	0.25%
Load	0.5% (singles) 1.0% (duals)
Switching Frequency	400 kHz (±10%)
Efficiency	80-85% (typ)
I/O Isolation	1500 Vdc

ENVIRONMENTAL

Operating Temperature	-40°C to +60°C
Max Baseplate Temp	105°C
Storage Temperature	-55°C to +105°C
Cooling	Free-air Convection

All specifications are typical at nominal line and full load at 25°C unless otherwise noted and are subject to change without notice.

The SC10B series of cost sensitive single and dual output 10 watt DC/DC converters are specifically designed for critical applications requiring a compact, low profile case.

These high performance 10 watt converters offer a high switching frequency topology, 1500 Vdc I/O isolation, and efficiencies to 85%.

Fourteen models available. Two input voltage ranges of 9-36 Vdc and 18-75 Vdc provide regulated outputs of 3.3, 5, 12, 15 and ±5, ±12 and ±15 Vdc.

Applications

These units are ideally suited for telecommunications, distributed power systems, automatic test equipment, medical and process control.



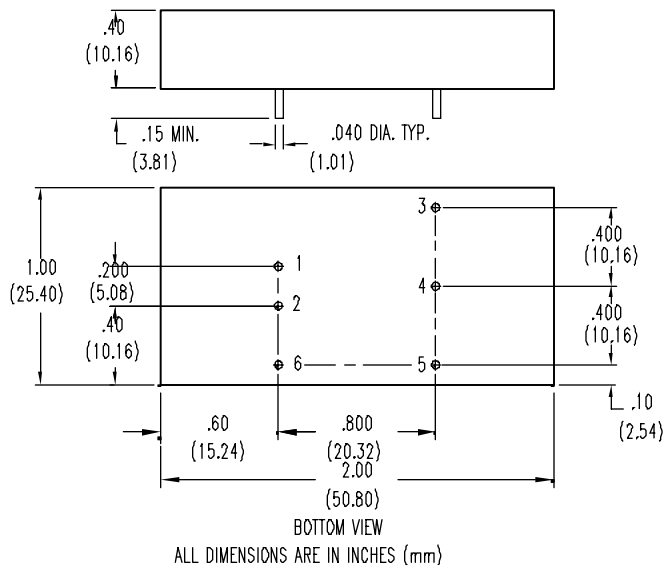
**SEMICONDUCTOR
CIRCUITS, INC.**

toll-free 888.438.3232 toll-free 888.GET.DCDC

SC10B Series Ordering Information

Input Voltage Range	Output Voltage	Output Current	Model Number
9-36 Vdc	3.3 Vdc	2400mA	SC10B17-240-18
9-36 Vdc	5 Vdc	2000mA	SC10B11-200-18
9-36 Vdc	12 Vdc	830mA	SC10B12-083-18
9-36 Vdc	15 Vdc	600mA	SC10B13-060-18
9-36 Vdc	±5 Vdc	±750mA	SC10B21-150-18
9-36 Vdc	±12 Vdc	±375mA	SC10B22-083-18
9-36 Vdc	±15 Vdc	±300mA	SC10B23-060-18
18-75 Vdc	3.3 Vdc	2400mA	SC10B17-240-46
18-75 Vdc	5 Vdc	2000mA	SC10B11-200-46
18-75 Vdc	12 Vdc	830mA	SC10B12-083-46
18-75 Vdc	15 Vdc	600mA	SC10B13-060-46
18-75 Vdc	±5 Vdc	±750mA	SC10B21-150-46
18-75 Vdc	±12 Vdc	±375mA	SC10B22-083-46
18-75 Vdc	±15 Vdc	±300mA	SC10B23-060-46

Dimensions and Connections



PIN CONNECTIONS Single Output

1. +Input
2. -Input
3. +Output
4. No Pin
5. Common
6. Remote On/Off

PIN CONNECTIONS Dual Outputs

1. +Input
2. -Input
3. +Output
4. Common
5. -Output
6. Remote On/Off

NOTES:

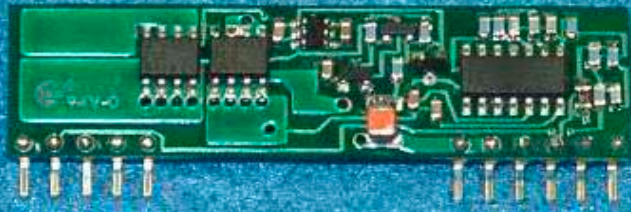
1. Ripple measured with a 3.3 μ F tantalum capacitor across each output.
2. Minimum load 10% of full load. Load regulation from full load to minimum load.
3. The SC10B series requires an external filter capacitor across the input valued at 2.2 μ F @ 100Vdc such as ITW/Paktron part# 225K100RA4 or equiv.
4. Case connected to pin #1 on -46 models. Case connected to pin #2 on -12 and -24 models

For Optional Remote On/Off add suffix "E"
(i.e. SC10B11-200-46E)

Remote ON/Off Control (pin 6) common referenced to - Input (pin 2).
On greater than 2.5 Vdc or open circuit
Off less than 0.8 Vdc

03/27/2002

SC10N Series



DC/DC

10 AMPS

Single Outputs

- **Input Ranges**
 - 3.0-3.6 Vdc
 - 4.5-5.5 Vdc
 - 10.8-13.2 Vdc
- **Remote shutdown**
- **300kHz switching frequency**

Specifications

INPUT

Voltage Range	3.0 - 3.6 Vdc
	4.5 - 5.5 Vdc
	10.8-13.2 Vdc

Remote On/Off Control	All Models
-----------------------	------------

OUTPUT

Voltage Tolerance	± 1%
Voltage Adjust	±10%
Ripple and Noise	35mV pk-pk
Short Circuit Protection	Continuous Power Cycle

GENERAL

Line Regulation	0.1%
Load Regulation	0.25% (no minimum load)
Efficiency	85-90% typ
Isolation	Non-galvanically isolated

ENVIRONMENTAL

Operating Temperature	-40°C to +71°C No Derating
Storage Temperature	-40°C to +105°C
Cooling	Free-air Convection

All specifications are typical at nominal line and full load at 25°C unless otherwise noted and are subject to change without notice.

The 10 Amp SC10N Series of high performance converters offer a high switching frequency topology and efficiencies to 95% typical over varying load conditions of 10% to 100%. Additional features include remote sense, remote on/off control, logic compatible with CMOS or open collector TTL and an operating temperature range of -40°C to +71°C with no derating. Units are packaged in a single inline package measuring 2.00" x 0.55" x 0.35".

Applications

These units are ideally suited for data processing and networking applications requiring point of load regulation such as automotive test equipment, process control and minicomputers.



**SEMICONDUCTOR
CIRCUITS, INC.**

toll-free 888.438.3232 toll-free 888.GET.DCDC

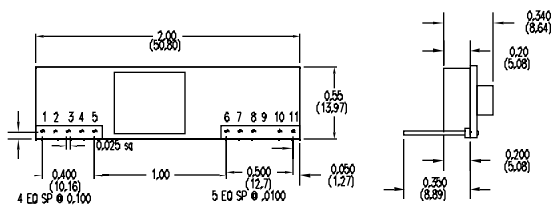
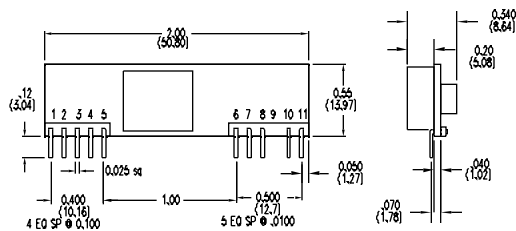
SC10N Series Ordering Information

Input Voltage Range	Output Voltage	Output Current	Model Number
3.0-3.6 Vdc	1.0 Vdc	10AMPS	SC10N1X0-33
3.0-3.6 Vdc	1.2 Vdc	10AMPS	SC10N1X2-33
3.0-3.6 Vdc	1.5 Vdc	10AMPS	SC10N1X5-33
3.0-3.6 Vdc	1.8 Vdc	10AMPS	SC10N1X8-33
3.0-3.6 Vdc	2.0 Vdc	10AMPS	SC10N2X0-33
3.0-3.6 Vdc	2.5 Vdc	10AMPS	SC10N2X5-33
4.5-5.5 Vdc	1.0 Vdc	10AMPS	SC10N1X0-5
4.5-5.5 Vdc	1.2 Vdc	10AMPS	SC10N1X2-5
4.5-5.5 Vdc	1.5 Vdc	10AMPS	SC10N1X5-5
4.5-5.5 Vdc	1.8 Vdc	10AMPS	SC10N1X8-5
4.5-5.5 Vdc	2.0 Vdc	10AMPS	SC10N2X0-5
4.5-5.5 Vdc	2.5 Vdc	10AMPS	SC10N2X5-5
4.5-5.5 Vdc	3.3 Vdc	10AMPS	SC10N3X3-5
10.8-13.2 Vdc	1.0 Vdc	10AMPS	SC10N1X0-12
10.8-13.2 Vdc	1.2 Vdc	10AMPS	SC10N1X2-12
10.8-13.2 Vdc	1.5 Vdc	10AMPS	SC10N1X5-12
10.8-13.2 Vdc	1.8 Vdc	10AMPS	SC10N1X8-12
10.8-13.2 Vdc	2.0 Vdc	10AMPS	SC10N2X0-12
10.8-13.2 Vdc	2.5 Vdc	10AMPS	SC10N2X5-12
10.8-13.2 Vdc	3.3 Vdc	10AMPS	SC10N3X5-12
10.8-13.2 Vdc	5.0 Vdc	10AMPS	SC10N5X0-12

PIN CONNECTIONS

1. + Output
2. + Output
3. Remote sense (B option - no pin)
4. + Output
5. Common
6. Common
7. + Input
8. + Input
9. No pin
10. Trim
11. Remote On/Off

Dimensions and Connections

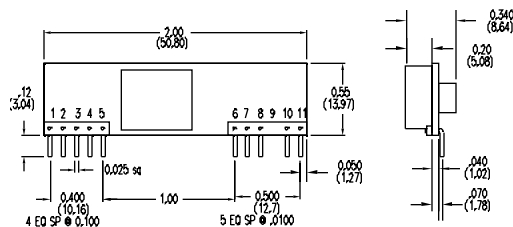


OPTION H

NOTES:

1. Add H suffix for horizontal mount (SC10N-xxx-xxH)
2. Add V suffix for vertical mount (SC10N-xxx-xxV)
3. Add suffix RV for reverse vertical mount (SC10N-xxx-xxRV)
4. Add suffix B for no remote sense (pin 3 removed) (SC10N-xxx-xxHB, -xxRB, -xxRVB)
5. Ripple Measured with a 100 uf, 10 Volt capacitor across output.

OPTION V



OPTION RV Tyco-compatible

03/09/2005

SC15A Series



DC/DC

15 Watts

Single/Dual Outputs

- Industry standard form factor 2 x 1 x 0.40
- Three input voltage ranges
9-18 Vdc
18-36 Vdc
36-75 Vdc
- Remote shutdown
- 400kHz switching frequency
- Continuous short circuit protection
- Six-sided shielding
- UL1950, cUL, EN60950

The SC15A series of cost sensitive single and dual output 15 watt DC/DC converters are specifically designed for critical applications requiring a compact, low profile case.

These high performance 15 watt converters offer a high switching frequency topology, 1500 Vdc I/O isolation, and efficiencies to 85%.

Twenty-one models available. Three input voltage ranges of 9-18 Vdc, 18-36 Vdc and 36-75 Vdc provide regulated outputs of 3.3, 5, 12, 15 and ± 5 , ± 12 and ± 15 Vdc.

Applications

These units are ideally suited for telecommunications, distributed power systems, automatic test equipment, medical and process control.

Specifications

INPUT

Voltage Range	9-18 Vdc 18-36 Vdc 36-75 Vdc
Reverse Polarity Protected	To Nominal Input Current External Fuse Required
Remote On/Off Control	Optional

OUTPUT

Voltage Tolerance	$\pm 1\%$
Ripple and Noise	50mV pk-pk (typ)
Short Circuit Protection	Continuous Power Cycle
Temperature Coefficient	.02% / °C

GENERAL

Regulation:	
Line	0.25%
Load	0.5% (singles) 1.0% (duals)
Switching Frequency	400 kHz ($\pm 10\%$)
Efficiency	80-85% (typ)
I/O Isolation	1500 Vdc

ENVIRONMENTAL

Operating Temperature	-40°C to +60°C
Max Baseplate Temp	105°C
Storage Temperature	-55°C to +105°C
Cooling	Free-air Convection

All specifications are typical at nominal line and full load at 25°C unless otherwise noted and are subject to change without notice.

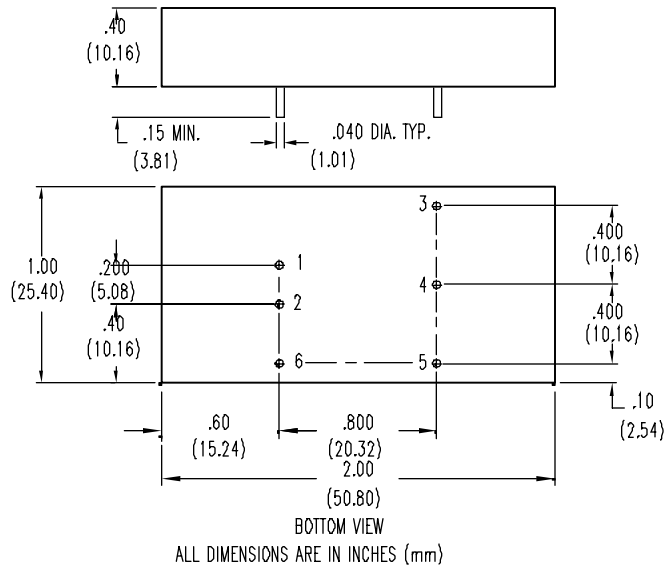


**SEMICONDUCTOR
CIRCUITS, INC.**

toll-free 888.438.3232 toll-free 888.GET.DCDC

SC15A Series Ordering Information

Input Voltage Range	Output Voltage	Output Current	Model Number
9-18 Vdc	3.3 Vdc	3000mA	SC15A17-300-12
9-18 Vdc	5 Vdc	3000mA	SC15A11-300-12
9-18 Vdc	12 Vdc	1250mA	SC15A12-125-12
9-18 Vdc	15 Vdc	1000mA	SC15A13-100-12
9-18 Vdc	±5 Vdc	±1500mA	SC15A21-300-12
9-18 Vdc	±12 Vdc	±625mA	SC15A22-125-12
9-18 Vdc	±15 Vdc	±500mA	SC15A23-100-12
18-36 Vdc	3.3 Vdc	3000mA	SC15A17-300-24
18-36 Vdc	5 Vdc	3000mA	SC15A11-300-24
18-36 Vdc	12 Vdc	1250mA	SC15A12-125-24
18-36 Vdc	15 Vdc	1000mA	SC15A13-100-24
18-36 Vdc	±5 Vdc	±1500mA	SC15A21-300-24
18-36 Vdc	±12 Vdc	±625mA	SC15A22-125-24
18-36 Vdc	±15Vdc	±500mA	SC15A23-100-24
36-75Vdc	3.3 Vdc	3000mA	SC15A17-300-48
36-75Vdc	5 Vdc	3000mA	SC15A11-300-48
36-75Vdc	12 Vdc	1250mA	SC15A12-125-48
36-75Vdc	15 Vdc	1000mA	SC15A13-100-48
36-75Vdc	±5 Vdc	±1500mA	SC15A21-300-48
36-75Vdc	±12 Vdc	±625mA	SC15A22-125-48
36-75Vdc	±15Vdc	±500mA	SC15A23-100-48



Dimensions and Connections

NOTES:

1. Ripple measured with a 3.3 μ F tantalum capacitor across each output.
2. Minimum load 10% of full load. Load regulation from full load to minimum load.
3. The SC15A series requires an external filter capacitor across the input valued at 2.2 μ F @ 100Vdc such as ITW/Paktron part# 225K100RA4 or equiv.
4. Case connected to pin #1 on -48 models. Case connected to pin #2 on -12 and -24 models

PIN CONNECTIONS

Single Output

1. +Input
2. -Input
3. +Output
4. No Pin
5. Common
6. Remote On/Off

PIN CONNECTIONS

Dual Outputs

1. +Input
2. -Input
3. +Output
4. Common
5. -Output
6. Remote On/Off

For Optional Remote On/Off add suffix "E"
(i.e. SC15A11-300-48E)

Remote ON/Off Control (pin 6) common referenced to - Input (pin 2).

On greater than 2.5 Vdc or open circuit

Off less than 0.8 Vdc

03/27/2002

SC15B Series



DC/DC

15 Watts

Single/Dual Outputs

- Industry standard form factor 2 x 1 x 0.40
- Wide input voltage range
9-36 Vdc
18-75 Vdc
- Remote shutdown
- 400kHz switching frequency
- Continuous short circuit protection
- Six-sided shielding
- UL1950, cUL, EN60950

Specifications

INPUT

Voltage Range	9-36 Vdc 18-75 Vdc
Reverse Polarity Protected	To Nominal Input Current External Fuse Required
Remote On/Off Control	Optional

OUTPUT

Voltage Tolerance	± 1%
Ripple and Noise	50mV pk-pk (typ)
Short Circuit Protection	Continuous Power Cycle
Temperature Coefficient	0.02% / °C

GENERAL

Regulation:	
Line	0.25%
Load	0.5% (singles) 1.0% (duals)
Switching Frequency	400 kHz (±10%)
Efficiency	80-85% (typ)
I/O Isolation	1500 Vdc

ENVIRONMENTAL

Operating Temperature	-40°C to +60°C
Max Baseplate Temp	105°C
Storage Temperature	-55°C to +105°C
Cooling	Free-air Convection

All specifications are typical at nominal line and full load at 25°C unless otherwise noted and are subject to change without notice.

The SC15B series of cost sensitive single and dual output 15 watt DC/DC converters are specifically designed for critical applications requiring a compact, low profile case.

These high performance 15 watt converters offer a high switching frequency topology, 1500 Vdc I/O isolation, and efficiencies to 85%.

Fourteen models available. Two input voltage ranges of 9-36 Vdc and 18-75 Vdc provide regulated outputs of 3.3, 5, 12, 15 and ±5, ±12 and ±15 Vdc.

Applications

These units are ideally suited for telecommunications, distributed power systems, automatic test equipment, medical and process control.



**SEMICONDUCTOR
CIRCUITS, INC.**

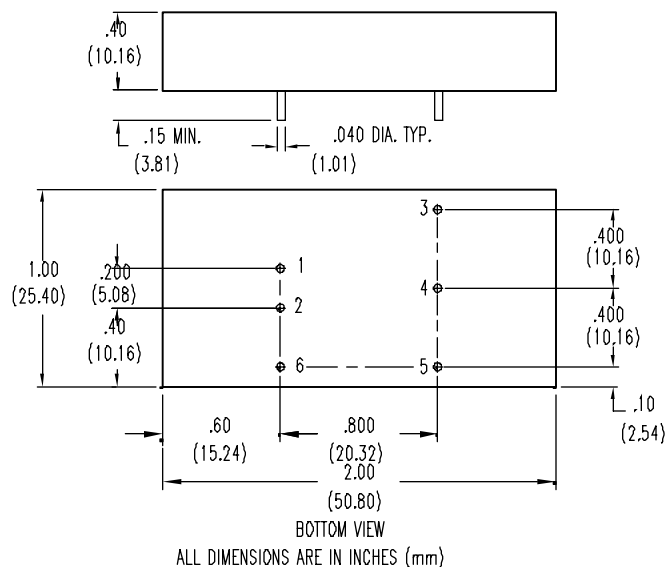
toll-free 888.438.3232 toll-free 888.GET.DCDC

15

SC15B Series Ordering Information

Input Voltage Range	Output Voltage	Output Current	Model Number
9-36 Vdc	3.3 Vdc	3000mA	SC15B17-300-18
9-36 Vdc	5 Vdc	3000mA	SC15B11-300-18
9-36 Vdc	12 Vdc	1250mA	SC15B12-125-18
9-36 Vdc	15 Vdc	1000mA	SC15B13-100-18
9-36 Vdc	±5 Vdc	±1500mA	SC15B21-300-18
9-36 Vdc	±12 Vdc	±625mA	SC15B22-125-18
9-36 Vdc	±15 Vdc	±500mA	SC15B23-100-18
18-75 Vdc	2.5 Vdc	3000mA	SC15B16-300-46
18-75 Vdc	3.3 Vdc	3000mA	SC15B17-300-46
18-75 Vdc	5 Vdc	3000mA	SC15B11-300-46
18-75 Vdc	12 Vdc	1250mA	SC15B12-125-46
18-75 Vdc	15 Vdc	1000mA	SC15B13-100-46
18-75 Vdc	±5 Vdc	±1500mA	SC15B21-300-46
18-75 Vdc	±12 Vdc	±625mA	SC15B22-125-46
18-75 Vdc	±15Vdc	±500mA	SC15B23-100-46

Dimensions and Connections



PIN CONNECTIONS Single Output

- +Input
- Input
- +Output
- No Pin
- Common
- Remote On/Off

PIN CONNECTIONS Dual Outputs

- +Input
- Input
- +Output
- Common
- Output
- Remote On/Off

NOTES:

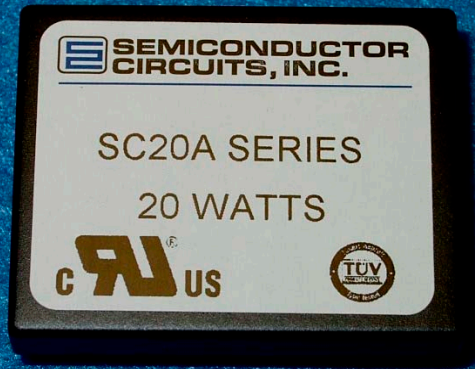
- Ripple measured with a 3.3 μ F tantalum capacitor across each output.
- Minimum load 10% of full load. Load regulation from full load to minimum load.
- The SC15B series requires an external filter capacitor across the input valued at 2.2 μ F @ 100Vdc such as ITW/Paktron part# 225K100RA4 or equiv.
- Case connected to pin #1 on -46 models. Case connected to pin #2 on -12 and -24 models

For Optional Remote On/Off add suffix "E"
(i.e. SC15B11-300-46E)

Remote ON/Off Control (pin 6) common referenced to - Input (pin 2).
On greater than 2.5 Vdc or open circuit
Off less than 0.8 Vdc

03/27/2002

SC20A Series



DC/DC

20 Watts

Single/Dual Outputs

- 4:1 ultra wide input range
9-36 Vdc
18-75 Vdc
36-75 Vdc
- Remote shutdown
- 200kHz switching frequency
- Continuous short circuit protection
- Six-sided shielding
- UL1950, cUL, EN60950

Specifications

INPUT

Voltage Range	9-36 Vdc 18-75 Vdc 36-75 Vdc
Reverse Polarity Protected	To Nominal Input Current External Fuse Required
Remote On/Off Control	All Models

OUTPUT

Voltage Tolerance	± 1%
Ripple and Noise	50mV pk-pk (typ)
Trim Adjustatble	±10%
Short Circuit Protection	Continuous Power Cycle
Temperature Coefficient	0.02% / °C

GENERAL

Regulation:	
Line	0.25%
Load	0.5% (singles) 1.0% (duals)
Efficiency	80-85% (typ)
I/O Isolation	1500 Vdc

ENVIRONMENTAL

Operating Temperature	-40°C to +60°C
Max Baseplate Temp	105°C
Storage Temperature	-55°C to +105°C
Cooling	Free-air Convection

All specifications are typical at nominal line and full load at 25°C unless otherwise noted and are subject to change without notice.

The SC20A series is an economically priced 20 watt DC/DC converter featuring ultra-wide input range, efficiencies to 85% and a continuous six-sided shielded case. Telecom models (-48) feature thermal shutdown and undervoltage lockout compatible with ETS 300 132-2 paragraph 4.6. Other key features include: overvoltage protection, output trim adjustability, TTL and CMOS compatible remote on/off, short circuit protection and small size. The SC20A series measures only 1.6" x 2.0" x 0.40" and offers a power density of 15.7 watts/cu. in.

Applications

These units are ideally suited for telecommunications, distributed power systems, automatic test equipment, geosource test equipment and process control.



**SEMICONDUCTOR
CIRCUITS, INC.**

toll-free 888.438.3232 toll-free 888.GET.DCDC

SC25N Series



DC/DC

25 Watts

Single/Dual/Triple Outputs

- Input ranges
 - 9-18 Vdc
 - 18-36 Vdc
 - 36-75 Vdc
- Remote shutdown
- 350kHz switching frequency
- Continuous short circuit protection
- Thermal Protection
- Industry Standard footprint
- Under Voltage Lockout

Specifications

INPUT

Voltage Range	9-18 Vdc 18-36 Vdc 36-75 Vdc
Reverse Polarity Protected	To Nominal Input Current External Fuse Required
Remote On/Off Control	All Models
UVLO	<32 Vdc (-48 only)

OUTPUT

Voltage Tolerance	± 1% Main ± 3.0 Auxiliary ± 2.0 Duals
Ripple and Noise	1% V out pk-pk (20 MHz BW)
Short Circuit Protection	Continuous Power Cycle
Temperature Coefficient	0.02% / °C

GENERAL

Regulation:	Main	Auxiliary	Dual
Line	0.1%	0.5%	0.2%
Load	0.75%	3.0%	0.5%
Efficiency	80-85% (typ)		
I/O Isolation	1500 Vdc		
Switching Frequency	350khz (typ)		

ENVIRONMENTAL

Operating Temperature	-40°C to +60°C No Derating 100°C Max Baseplate
Storage Temperature	-40°C to +105°C
Cooling	Free-air Convection

All specifications are typical at nominal line and full load at 25°C unless otherwise noted and are subject to change without notice.

The 25-Watt SC25N Series high performance 25 watt converters offer a high switching frequency topology, 1500 Vdc I/O isolation, and efficiencies to 82% typical over varying load conditions of 10% to 100%. Additional features include input reverse polarity protection, remote on/off control, logic compatible with CMOS or open collector TTL, short circuit protection with auto restart, overvoltage protection, and an operating temperature range of -40°C to +60°C with no derating. Units are packaged in an industry standard package and measure 2.00" x 2.00" x 0.52".

Applications

These units are ideally suited for telecommunications, networking and applications having a widely varying input voltage such as automotive test equipment, process control, minicomputers and geosurvey equipment.



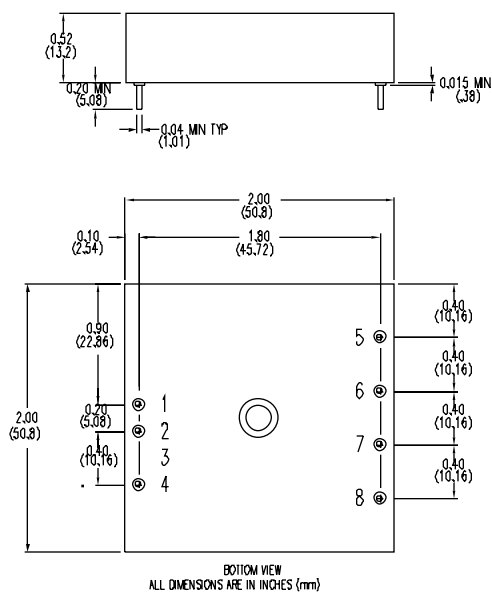
**SEMICONDUCTOR
CIRCUITS, INC.**

toll-free 888.438.3232 toll-free 888.GET.DCDC

SC25N Series Ordering Information

Input Voltage Range	Output Voltage	Output Current	Output Power	Model Number
9-18 Vdc	5 Vdc	4.50 A	22.5 W	SC25N11-500-12
9-18 vdc	±5 Vdc	2.5/2.25 A	22.5 W	SC25N21-500-12
9-18 Vdc	±12 Vdc	±1.04 A	25 W	SC25N22-208-12
9-18 Vdc	±15 Vdc	±.83 A	25 W	SC25N23-167-12
18-36 Vdc	3.3 Vdc	6 A	19.8 W	SC25N17-600-24
18-36 Vdc	5 Vdc	5 A	25 W	SC25N11-500-24
18-36 Vdc	12 Vdc	2.08 A	25 W	SC25N12-208-24
18-36 Vdc	15 Vdc	1.67 A	25 W	SC25N13-167-24
18-36 Vdc	±5 Vdc	±2.5 A	25 W	SC25N21-500-24
18-36 Vdc	±12 Vdc	±1.04 A	25 W	SC25N22-208-24
18-36 Vdc	±15 Vdc	±.83 A	25 W	SC25N23-167-24
18-36 Vdc	5/±12 Vdc	2.5 A/±.52 A	25 W	SC25N34-354-24
18-36 Vdc	5/±15 Vdc	2.5 A/±.42 A	25 W	SC25N35-334-24
36-75 Vdc	3.3 Vdc	6 A	19.8 W	SC25N17-600-48
36-75 Vdc	5 Vdc	5 A	25 W	SC25N11-500-48
36-75 Vdc	12 Vdc	2.08 A	25 W	SC25N12-208-48
36-75 Vdc	15 Vdc	1.67 A	25 W	SC25N13-167-48
36-75 Vdc	±5 Vdc	±2.5 A	25 W	SC25N21-500-48
36-75 Vdc	±12 Vdc	±1.04 A	25 W	SC25N22-208-48
36-75 Vdc	±15 Vdc	±.83 A	25 W	SC25N23-167-48
36-75 Vdc	5/±12 Vdc	2.5 A/±.52 A	25 W	SC25N34-354-48
36-75 Vdc	5/±15 Vdc	2.5 A/±.42 A	25 W	SC25N35-334-48

Dimensions and Connections



NOTES:

1. Ripple measured with a 3.3 μ F tantalum capacitor across each output.

External Output Trimming: Output may be externally trimmed $\pm 10\%$

Remote ON/Off Control (pin3) common referenced to Minus Input (pin 1).

On greater than 4 Vdc or open circuit
Off less than 1.2 Vdc

PIN CONNECTIONS Single Output

1. +Input
2. -Input
3. No Pin
4. Remote On/Off
5. No Pin
6. +Output
7. -Output
8. Trim

PIN CONNECTIONS Dual Outputs

1. +Input
2. -Input
3. No Pin
4. Remote O/Off
5. +12 or 15 Output
6. Common
7. -12 or 15 Output
8. No Con-

PIN CONNECTIONS Triple Outputs

1. +Input
2. -Input
3. No Pin
4. Remote On/Off
5. +12 or 15 Output
6. +5 Output
7. Common
8. -12 or 15 Output

11/01/2001

SC30N Series



DC/DC

30 Watts

Single/Dual/Triple Outputs

- 2:1 wide input range
18-36 Vdc
36-75 Vdc
- Remote shutdown
- 300kHz switching frequency
- Continuous short circuit protection
- Six-sided shielding

Specifications

INPUT

Voltage Range	18-36Vdc 36-75Vdc
Filtering	All Models
UVLO	<32 Vdc (-48 Models)
Remote On/Off Control	All Models

OUTPUT

Voltage Tolerance	1% Main, 2% Duals, 3% Aux
Ripple and Noise	3.3/5 50mV pk-pk All others 100mV pk-pk
Short Circuit Protection	Continuous Power Cycle
Overvoltage Protection	Latching 125%
Temperature Coefficient	0.02% / °C

GENERAL

Regulation:	Main	Duals	Aux
Line	0.1%	0.1%	0.5%
Load	0.5%	0.5%	3.0%
Efficiency	83% (typ)		
I/O Isolation	1500 Vdc		
Switching Frequency	300khz (typ)		

ENVIRONMENTAL

Operating Temperature	-40°C to +100°C Baseplate
Storage Temperature	-55°C to +125°C
Cooling	Free-air Convection

All specifications are typical at nominal line and full load at 25°C unless otherwise noted and are subject to change without notice.

The 30 Watt SC30N series operates over a wide input range of 18-36 Vdc or 36-75 Vdc. Efficiencies of 83% are typical over varying load conditions of 25% to 100%. Additional features include input reverse polarity protection, remote on/off control, logic compatible with CMOS or open collector TTL, short circuit protection with auto restart, overvoltage protection, and an operating range of -40°C to +100°C case temperature with no derating. Units are packaged in a six-sided continuous shielded case for EMI/RFI protection and measure 2.5" x 3.0" x 0.5".

Applications

These units are ideally suited for telecommunications and applications having a widely varying input voltage such as automotive test equipment, process control, minicomputers and geosurvey equipment.



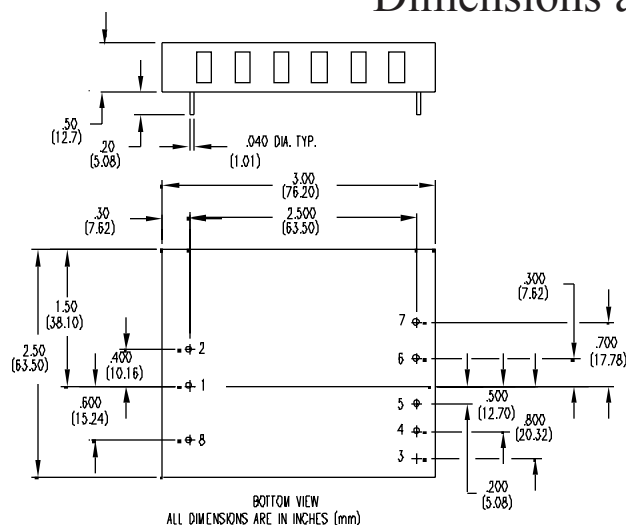
**SEMICONDUCTOR
CIRCUITS, INC.**

toll-free 888.438.3232 toll-free 888.GET.DCDC

SC30N Series Ordering Information

Input Voltage Range	Output Voltage	Output Current	Model Number
36-75 Vdc	3.3 Vdc	8000mA	SC30N17-800-48
18-36 Vdc	5 Vdc	6000mA	SC30N11-600-18
36-75 Vdc	5 Vdc	6000mA	SC30N11-600-48
18-36 Vdc	12 Vdc	2500mA	SC30N12-250-18
36-75 Vdc	12 Vdc	2500mA	SC30N12-250-48
18-36 Vdc	15 Vdc	2000mA	SC30N13-200-18
36-75 Vdc	15 Vdc	2000mA	SC30N13-200-48
18-36 Vdc	±12 Vdc	±1250mA	SC30N22-125-18
36-75 Vdc	±12 Vdc	±1250mA	SC30N22-125-48
18-36 Vdc	±15 Vdc	±1000mA	SC30N23-100-18
36-75 Vdc	±15 Vdc	±1000mA	SC30N23-100-48
18-36 Vdc	+5 / ±12Vdc	3000 / ±625mA	SC30N34-425-18
36-75 Vdc	+5 / ±12Vdc	3000 / ±625mA	SC30N34-425-48
18-36 Vdc	+5 / ±15Vdc	3000 / ±500mA	SC30N35-400-18
36-75 Vdc	+5 / ±15Vdc	3000 / ±500mA	SC30N35-400-48

Dimensions and Connections



Pins 0.040 (1.0) dia x 0.20 (5.1) lg min.

PIN CONNECTIONS Single Output

1. +Input
2. -Input
3. + Sense
4. Trim
5. -Sense
6. +Output
7. Common
8. Remote On/Off

PIN CONNECTIONS Dual Outputs

1. +Input
2. -Input
3. +12 or 15 Output
4. Common
5. -12 or 15 Output
6. N/C
7. Trim
8. Remote On/Off

PIN CONNECTIONS Triple Outputs

1. +Input
2. -Input
3. +12 or 15 Output
4. Common
5. -12 or 15 Output
6. +5 Output
7. Common
8. Remote On/Off

NOTES:

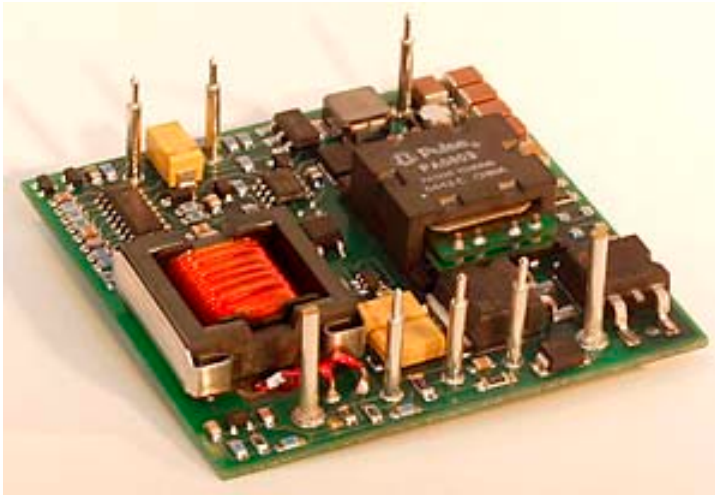
1. Ripple measured with a 3.3µF tantalum capacitor across each output.
2. Load regulation from full load to minimum load with all other outputs at rated load.
3. Minimum current required on 5V out only.
4. Maximum total power from all outputs is 30 Watts and no output is to exceed its maximum rated current.

External Output Trimming: Output may be externally trimmed ±10% (12 Vdc and 15 Vdc, 10%/ -5% others).

Remote ON/Off Control (pin 8) common referenced to Minus input (pin 2).
On greater than 4 Vdc or open circuit
Off less than 1.2 Vdc

11/01/2001

SC60B Series



DC/DC

60 Watts

Single/Dual Outputs

- Ultra Wide input range
9-36 Vdc
18-76 Vdc
- Remote shutdown
- Open frame 1/2 brick
- 1500 Vdc I/O isolation
- Remote Sense
- Industry Standard footprint
- Efficiencies >89%
- UL1950 Recognition
(Pending)

Specifications

INPUT

Voltage Range	9-36 Vdc 18-76 Vdc
Filtering	All Models
Reverse Polarity Protected	To Nominal Input Current External Fuse Required
Remote On/Off Control	All Models

OUTPUT

Voltage Tolerance	± 1%
	± 1.5% (3.3 Vdc)
Ripple and Noise	100mV pk-pk (20 MHz BW)
Short Circuit Protection	Continuous Power Cycle
Temperature Coefficient	0.02% / °C

GENERAL

Regulation:	
Line	0.20%
Load	0.50%
Efficiency	89% (typ)
I/O Isolation	1500 Vdc
Switching Frequency	200kHz (typ)

ENVIRONMENTAL

Operating Temperature	Fully specified from -40°C to +60°C
Max hotspot temp range	-40°C to +110°C
Storage Temperature	-55°C to +105°C
Theta _{HS-A}	12.8°C/W

All specifications are typical at nominal line and full load at 25°C unless otherwise noted and are subject to change without notice.

The SC60B Series operate over an ultra wide input range of 9-36 Vdc or 18-76 Vdc. Efficiencies greater than 89% over the entire input range are typical. Additional features include higher ambient operating temperatures, reduced airflow requirements, excellent regulation and transient response characteristics. Single board package with industry standard footprint. Designed for through hole mounting.

Applications

These units are ideally suited for telecommunications mobile/optical switches, network routers and systems requiring distributed power architecture.



**SEMICONDUCTOR
CIRCUITS, INC.**

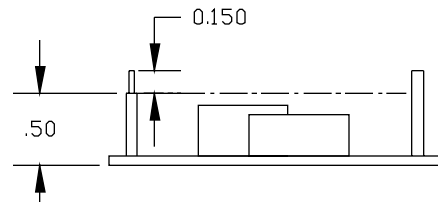
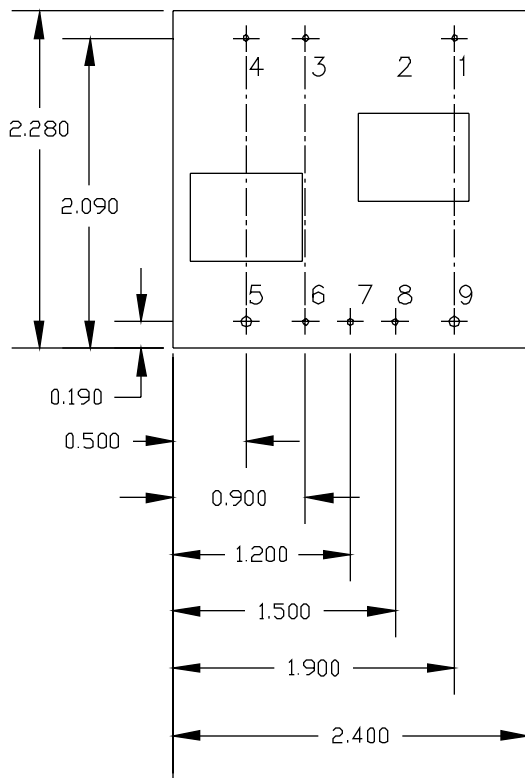
toll-free 888.438.3232 toll-free 888.GET.DCDC

SC60B Series Ordering Information

Input Voltage Range	Output Voltage	Output Current	Model Number
9-36 Vdc	15 Vdc	4.0 A	SC60B13-400-18
9-36 Vdc	18 Vdc	3.3 A	SC60B18-330-18
9-36 Vdc	24 Vdc	2.5 A	SC60B14-250-18
9-36 Vdc	±12 Vdc	±2.5 A	SC60B22-500-18
9-36 Vdc	±15 Vdc	±2.0 A	SC60B23-400-18
18-76 Vdc	15 Vdc	4.0 A	SC60B13-400-48
18-76 Vdc	18 Vdc	3.3 A	SC60B18-330-48
18-76 Vdc	24 Vdc	2.5 A	SC60B14-250-48
18-76 Vdc	±12 Vdc	±2.5 A	SC60B22-500-48
18-76 Vdc	±15 Vdc	±2.0 A	SC60B23-400-48

Dimensions and Connections

TOP VIEW



PIN CONNECTIONS (SINGLE)

1. INPUT COMMON
2. NO PIN
3. REMOTE ON/OFF
4. + INPUT
5. + OUTPUT
6. + SENSE
7. TRIM
8. - SENSE
9. OUTPUT COMMON

PIN DIAMETERS (SINGLE)

PINS 1-4, 6-8	0.040 ±0.002
PINS 5, 9	0.080 ±0.002

PIN CONNECTIONS (DUAL)

1. INPUT COMMON
2. NO PIN
3. REMOTE ON/OFF
4. + INPUT
5. + OUTPUT
6. COMMON
7. TRIM
8. COMMON
9. - OUTPUT

PIN DIAMETERS (DUAL)

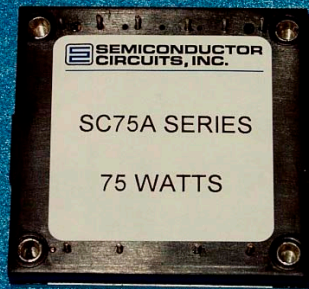
PINS 1-9	0.040 ±0.002
PINS 6 & 8 ARE CONNECTED INTERNALLY	

NOTES:

1. Ripple measured with a 3.3 µF tantalum capacitor across each output.
2. External Output Trimming: Output may be externally trimmed ±10%
3. Remote ON/Off Control (pin3) common referenced to Minus Input (pin 1).
On greater than 4.5 Vdc or open circuit off less than 0.4 Vdc

1/30/2007

SC75A Series



DC/DC

75 Watts

Single Outputs

- 4:1 ultra wide input range
18-75 Vdc
- Remote shutdown
- 400kHz switching frequency
- Continuous short circuit protection
- Remote Sense
- Industry Standard footprint
- Under Voltage Lockout
- UL1950, cUL EN60950

Specifications

INPUT

Voltage Range	18-75 Vdc
Filtering	All Models
Reverse Polarity Protected	To Nominal Input Current External Fuse Required
Remote On/Off Control	All Models
UVLO	<16 Vdc

OUTPUT

Voltage Tolerance	± 1%
	± 1.5% (3.3 Vdc)
Ripple and Noise	1% V out pk-pk (20 MHz BW)
Short Circuit Protection	Continuous Power Cycle
Temperature Coefficient	0.02% / °C

GENERAL

Regulation:	
Line	0.25%
Load	0.50%
Efficiency	80-85% (typ)
I/O Isolation	1500 Vdc
Switching Frequency	400kHz (typ)

ENVIRONMENTAL

Operating Temperature	Fully specified from -40°C to +60°C 105°C Max Baseplate
Storage Temperature	-55°C to +105°C
Cooling	Free-air Convection

All specifications are typical at nominal line and full load at 25°C unless otherwise noted and are subject to change without notice.

The 75-Watt SC75A Series operates over an ultra wide input range of 18-75 Vdc. Efficiencies of 83% are typical over varying load conditions of 25% to 100%. Additional features include input reverse polarity protection, remote on/off control, logic compatible with CMOS or open collector TTL, short circuit protection with auto restart, overvoltage protection, and an operating temperature range of -40°C to +60°C. Units are packaged in an industry standard 1/2 brick package and measure 2.40" x 2.28" x 0.50".

Applications

These units are ideally suited for telecommunications and applications having a widely varying input voltage such as automotive test equipment, process control, minicomputers and geosurvey equipment.



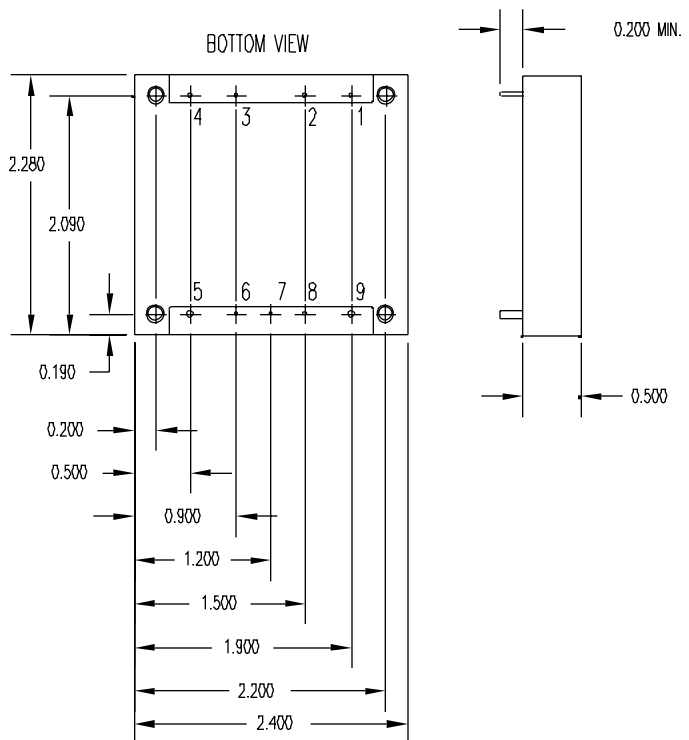
**SEMICONDUCTOR
CIRCUITS, INC.**

toll-free 888.438.3232 toll-free 888.GET.DCDC

SC75A Series Ordering Information

Input Voltage Range	Output Voltage	Output Current	Model Number
18-75 Vdc	3.3 Vdc	15.0 A	SC75A17-1500-48
18-75 Vdc	5 Vdc	15.0 A	SC75A11-1500-48
18-75 Vdc	12 Vdc	6.25 A	SC75A12-625-48
18-75 Vdc	15 Vdc	5.0 A	SC75A13-500-48
18-75 Vdc	24 Vdc	3.0 A	SC75A14-300-48

Dimensions and Connections



NOTES:

1. Ripple measured with a 3.3 μ F tantalum capacitor across each output.

External Output Trimming: Output may be externally trimmed $\pm 10\%$

Remote ON/Off Control (pin3) common referenced to Minus Input (pin 1).

On greater than 4 Vdc or open circuit
Off less than 1.2 Vdc

PIN CONNECTIONS

1. - INPUT
2. CASE
3. ON/OFF CONTROL
4. + INPUT
5. + OUTPUT
6. + SENSE
7. TRIM
8. - SENSE
- 9 - OUTPUT

PIN DIAMETERS

PINS 1-4, 6-8 0.040 \pm 0.002
PINS 5, 9 0.080 \pm 0.002

12/08/2004

SC125A Series



DC/DC

125 Watts

Single Outputs

- Wide input range
18-36 Vdc
36-76 Vdc
- Remote shutdown
- Open frame 1/2 brick
- 2800 Vdc I/O isolation
- Remote Sense
- Industry Standard footprint
- Efficiencies >93%
- UL1950 Recognition (Pending)

Specifications

INPUT

Voltage Range	18-36 Vdc 36-76 Vdc
Filtering	All Models
Reverse Polarity Protected	To Nominal Input Current External Fuse Required
Remote On/Off Control	All Models

OUTPUT

Voltage Tolerance	± 1%
	± 1.5% (3.3 Vdc)
Ripple and Noise	100mV pk-pk (20 MHz BW)
Short Circuit Protection	Continuous Power Cycle
Temperature Coefficient	0.02% / °C

GENERAL

Regulation:	
Line	0.20%
Load	0.50%
Efficiency	94% (typ)
I/O Isolation	2800 Vdc
Switching Frequency	200kHz (typ)

ENVIRONMENTAL

Operating Temperature	Fully specified from -40°C to +60°C
Max hotspot temp range	-40°C to +110°C
Storage Temperature	-55°C to +105°C
Theta _{HS-A}	12.8°C/W

All specifications are typical at nominal line and full load at 25°C unless otherwise noted and are subject to change without notice.

The SC125A Series operate over a wide input range of 36-76 Vdc. Efficiencies greater than 93% over the entire input range are typical. Additional features include higher ambient operating temperatures, reduced airflow requirements, excellent regulation and transient response characteristics. Single board package with industry standard footprint. Designed for through hole mounting.

Applications

These units are ideally suited for telecommunications mobile/optical switches, high capacity network routers, systems requiring distributed power architecture and high isolation.



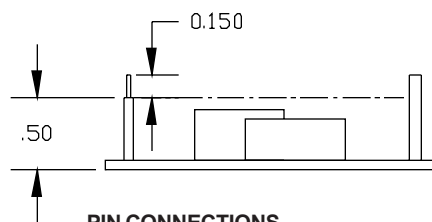
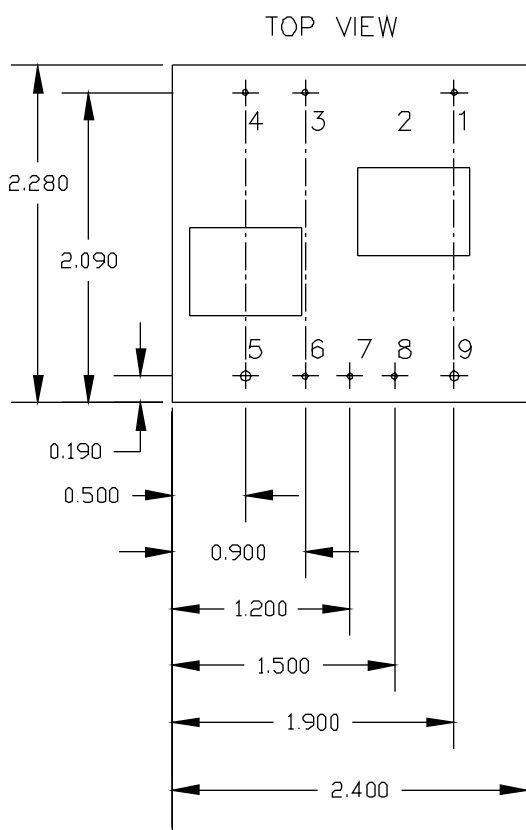
**SEMICONDUCTOR
CIRCUITS, INC.**

toll-free 888.438.3232 toll-free 888.GET.DCDC

SC125A Series Ordering Information

Input Voltage Range	Output Voltage	Output Current	Model Number
18-36 Vdc	3.3 Vdc	25.0A	SC125A17-2500-24
18-36 Vdc	5 Vdc	20.0A	SC125A11-2000-24
18-36 Vdc	12 Vdc	10.0 A	SC125A12-1000-24
36-76 Vdc	3.3 Vdc	30.0 A	SC125A17-3000-48
36-76 Vdc	5 Vdc	25.0 A	SC125A11-2500-48
36-76 Vdc	12 Vdc	10.0 A	SC125A12-1000-48

Dimensions and Connections



PIN CONNECTIONS

1. INPUT COMMON
2. NO PIN
3. REMOTE ON/OFF
4. + INPUT
5. + OUTPUT
6. + SENSE
7. TRIM
8. - SENSE
9. OUTPUT COMMON

PIN DIAMETERS

PINS 1-4, 6-8	0.040 ±0.002
PINS 5, 9	0.080 ±0.002

NOTES:

1. Ripple measured with a 3.3 μ F tantalum capacitor across each output.
2. External Output Trimming: Output may be externally trimmed \pm 10%
3. Remote ON/Off Control (pin3) common referenced to Minus Input (pin 1).
On greater than 4.5 Vdc or open circuit
Off less than 0.4 Vdc

06/30/2005