

# CM, P, PA Series



## AC/DC

## 6 Watts

Single/Dual Outputs

- High performance design
- Ultra-low noise
- Continuous short circuit protection

## Specifications

### INPUT

Voltage and Frequency

Standard	105 to 125 Vac - 50 to 440 Hz
Suffix I	200 to 252 Vac - 50 to 60 Hz
Suffix N	90 to 110 Vac - 50 to 60 Hz
Suffix K	200 to 252 Vac - 50 to 60 Hz
Suffix K2	105 to 125/210 to 250 Vac

### OUTPUT

Voltage Tolerance	± 1%
Ripple and Noise (PARD)	1mV RMS
Short Circuit Protection	Current Limiting
Temperature Coefficient	0.02% / °C

### GENERAL

I/O Isolation	1500 Vac
Suffix I	2500 Vac

### ENVIRONMENTAL

Operating Temperature	-25°C to +71°C No Derating
Storage Temperature	-25°C to +85°C
Cooling	Free-air Convection

All specifications are typical at nominal line and full load at 25°C unless otherwise noted and are subject to change without notice.

The CM, P and PA Series boast over a decade of reliable, field proven service and are the recognized industry standard for high performance AC/DC power supplies. The PA Series is equipped with industry standard 2.2" pin spacing while the P Series is 2.0".

The CM Series are high performance chassis mount versions employing a top-mounted, five terminal barrier strip for power entry and exit. These units are ideal for systems that are best implemented with "hard wire" power cabling techniques. Features include MTBF's of greater than 150,000 hours, lower case temperature rise (to 18°C cooler) and the high in-circuit performance. This higher efficiency results in lower ambient temperatures and greater system reliability. Dual output tracking is standard.



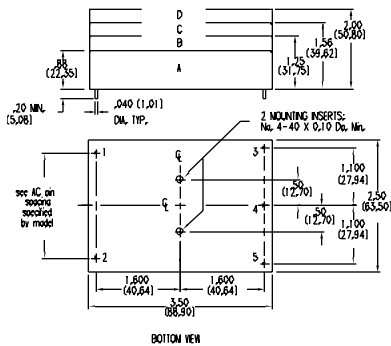
**SEMICONDUCTOR  
CIRCUITS, INC.**

888.438.3232 888.GET.DCDC

# CM, P and PA Series Ordering Information

Output Voltage	Output Current	Regulation Line / Load	AC Pin Spacing Inches (mm)	Fig.	Model Number
5Vdc	500mA	0.05% / 0.05%	2.0 (51)	1-A	P11-050
5Vdc	500mA	0.05% / 0.05%	2.2 (56)	1-A	PA11-050
5Vdc	1000mA	0.05% / 0.1%	2.0(51)	1-B	P11-100
5Vdc	1000mA	0.05% / 0.1%	2.2 (56)	1-B	PA11-100
5Vdc	1000mA	0.05% / 0.1%	--	2-C	CM11-100
12Vdc	500mA	0.05% / 0.1%	2.0 (51)	1-B	P12-050
12Vdc	500mA	0.05% / 0.1%	--	2-C	CM12-050
±5Vdc	±500mA	0.05% / 0.05%	2.0 (51)	1-B	P21-100
±5Vdc	±500mA	0.05% / 0.05%	2.2(56)	1-B	PA21-100
±12Vdc	±100mA	0.1% / 0.05%	2.0 (51)	1-A	P22-020
±12Vdc	±100mA	0.1% / 0.05%	2.2 (56)	1-A	PA22-020
±12Vdc	±200mA	0.05% / 0.1%	2.0 (51)	1-B	P22-040
±12Vdc	±200mA	0.05% / 0.1%	2.2 (56)	1-B	PA22-040
±12Vdc	±200mA	0.05% / 0.1%	--	2-D	CM22-040
±12Vdc	±300mA	0.01% / 0.05%	2.0(51)	1-C	P22-060
±12Vdc	±300mA	0.01% / 0.05%	2.2 (56)	1-C	PA22-060
±12Vdc	±300mA	0.05% / 0.1%	--	2-C	CM22-060
±15Vdc	±100mA	0.01% / 0.05%	2.0 (51)	1-A	P23-020
±15Vdc	±100mA	0.01% / 0.05%	2.2 (56)	1-A	PA23-020
±15Vdc	±200mA	0.01% / 0.05%	2.0 (51)	1-B	P23-040
±15Vdc	±200mA	0.01% / 0.05%	2.2 (56)	1-B	PA23-040
±15Vdc	±200mA	0.05% / 0.1%	--	2-C	CM23-040
±15Vdc	±300mA	0.01% / 0.05%	2.0 (51)	1-C	P23-060
±15Vdc	±300mA	0.01% / 0.05%	2.2 (56)	1-C	PA23-060
±15Vdc	±300mA	0.05% / 0.1%	--	2-D	CM23-060

## Dimensions and Connections



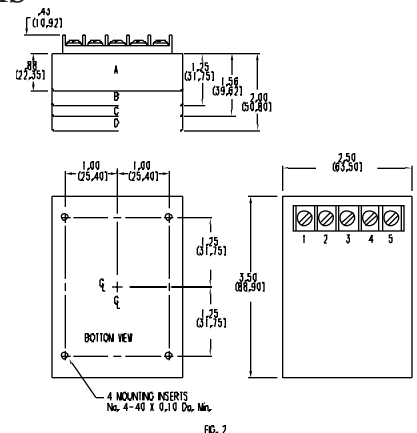
**PIN CONNECTIONS**  
**Single Output (Fig. 1)**  
**2.0\"/>**

**PIN CONNECTIONS**  
**Single Output (Fig. 1)**  
**2.0\"/>**

**PIN CONNECTIONS**  
**Single Output (Fig. 1)**  
**2.2\"/>**

**TERM CONNECTIONS**  
**Single Output (Fig. 2)**  
 1. VAC in high  
 2. VAC in neutral  
 3. +Output  
 4. No connect  
 5. Common

**TERM CONNECTIONS**  
**Dual Outputs (Fig. 2)**  
 1. VAC in high  
 2. VAC in neutral  
 3. +Output  
 4. Common  
 5. -Output



**NOTES:**  
 1. Ripple measured with a 3.3 mf tantalum capacitor across each output.

11/01/2001